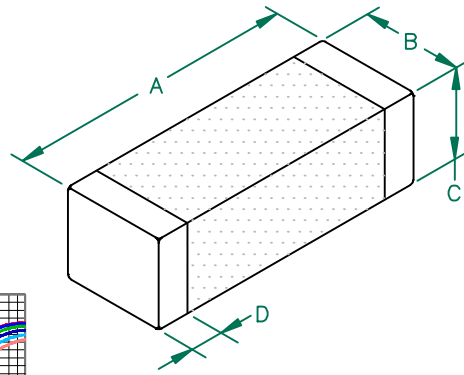


# LI1806E101R-10

**UNCONTROLLED DOCUMENT**

PHYSICAL DIMENSIONS:

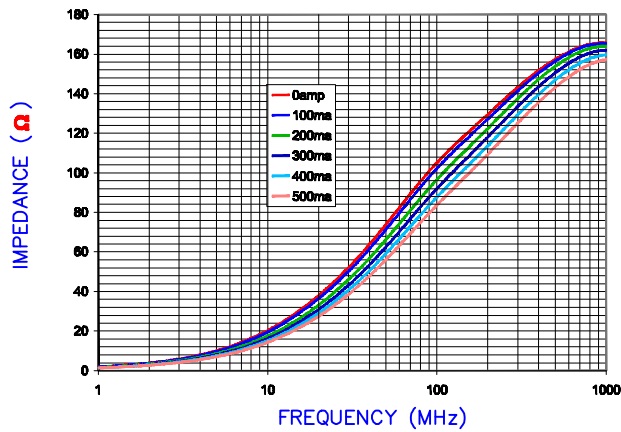
A	4.50 [.177]	+ 0.25 [.010]
B	1.60 [.063]	+ 0.25 [.010]
C	1.60 [.063]	+ 0.25 [.010]
D	0.51 [.020]	+ 0.25 [.010]



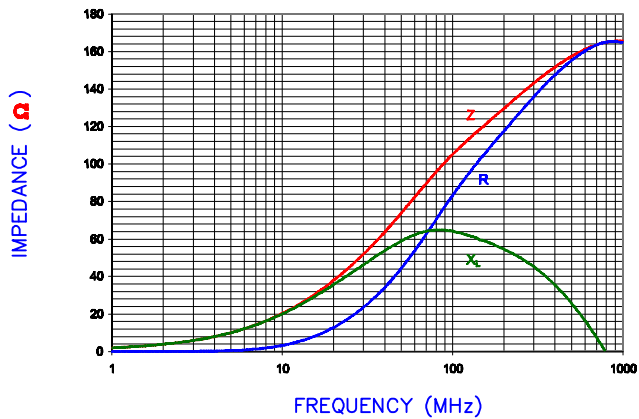
ELECTRICAL CHARACTERISTICS:

Z @ 100MHz ( $\Omega$ )	DCR ( $\Omega$ )	Rated Current
Nominal	100	
Minimum	75	
Maximum	125	500 mA

Z vs FREQUENCY  
IMPEDANCE UNDER DC BIAS



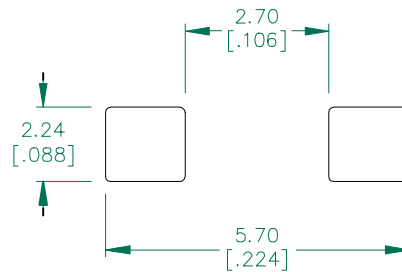
|Z|, R, AND X vs. FREQUENCY



**Z**      **R**      **X<sub>L</sub>**

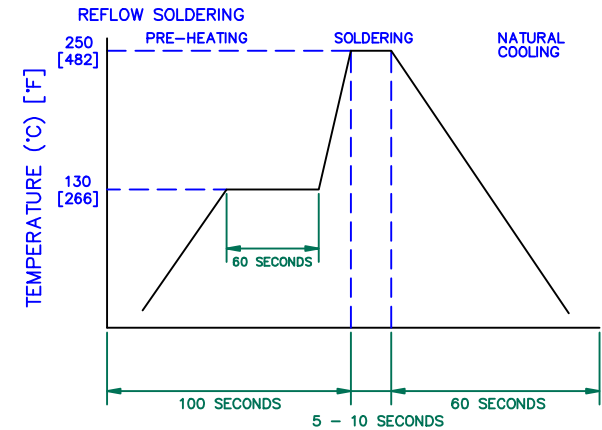


LAND PATTERNS FOR REFLOW SOLDERING



(For wave soldering, add 0.762 [.030] to this dimension.)

RECOMMENDED SOLDERING CONDITIONS



DIMENSIONS ARE IN mm [INCHES].				This print is the property of Laird Tech. and is loaned in confidence subject to return upon request and with the understanding that no copies shall be made without the written consent of Laird Tech. All rights to design or invention are reserved.			
PROJECT/PART NUMBER:				REV			
LI1806E101R-10				C			
PART TYPE:				CO-FIRE			
DRAWN BY:				TMB			
DATE:		SCALE:		SHEET:		2 of 2	
04/05/04		NTS					
GAD #				TOOL #			
LI1806E101R-10-C				-			
REV		DESCRIPTION		DATE		INT	
C		CHANGE REEL QTY FROM 3K TO 2K		11/05/08		JRK	
B		UPDATE COMPANY LOGO ADD ROHS SYM		07/22/08		JRK	
A		ORIGINAL DRAFT		04/05/04		TMB	